

# Product data sheet

## Specifications



Switch terminal, One way in, eight ways out, H59 brass, nickel-plated, IP20, UL94 V-0

Model number: UKK6NB-400/25-70/8X16

Order number: 5012.109

## Technical Parameters

Routes	One way in, eight ways out Inlet: 25-70mm <sup>2</sup> Outlet: Bottom layer: 1.5-16mm <sup>2</sup> X 4 (Recommended stripping length 31mm) Middle layer: 1.5-16mm <sup>2</sup> X 4 (Recommended stripping length 16mm)
Screw Torque	M10 ≤ 40.80 Kgf.cm M5 ≤ 20.40 Kgf.cm
Temperature Rise	≤ 45K
Dielectric Withstand Voltage	3500V
Protection Class (IP Rating)	IP20
Flame Retardant Rating	UL94 V-0
Standards Certification	CE

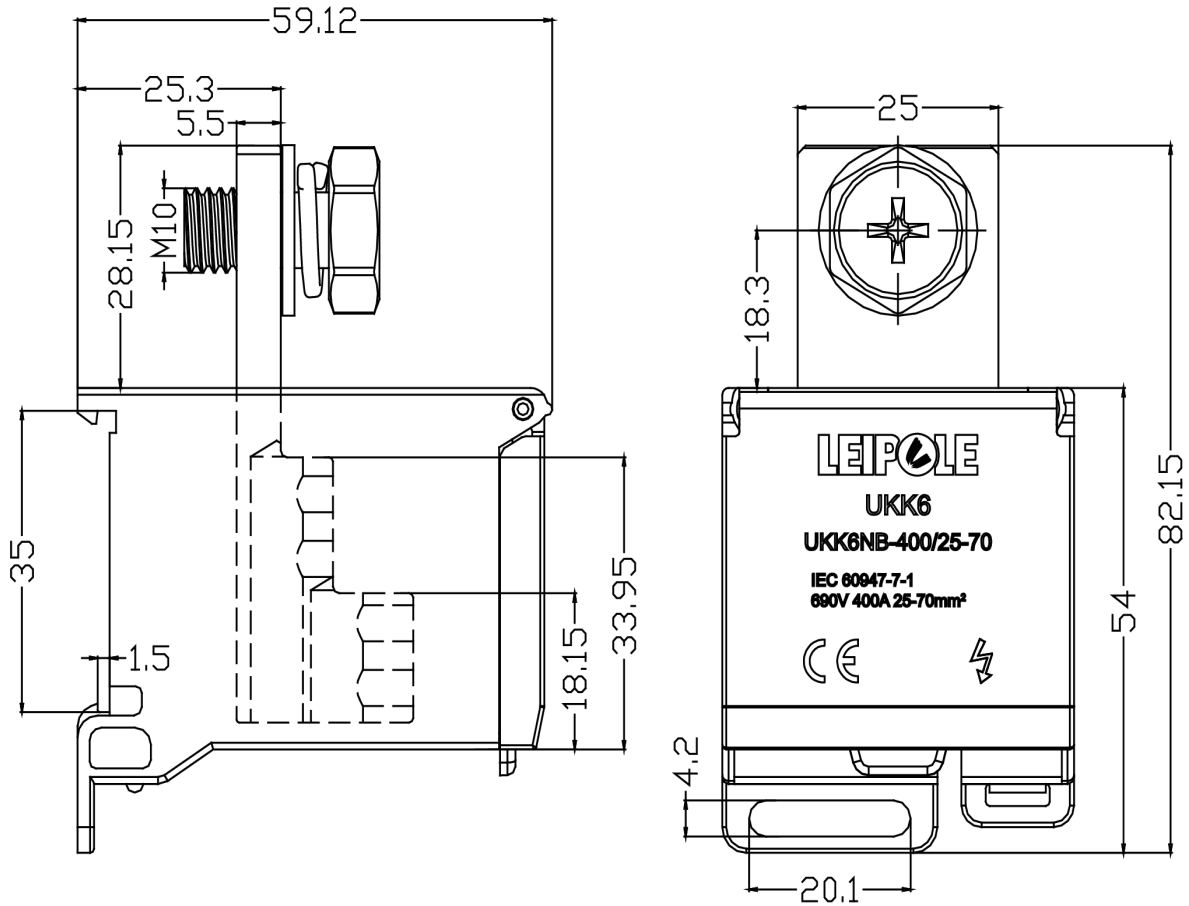
## Materials

Cover	PC
Case	PA66-FR
Side panel	PA66-FR
Conductor	H59 Brass, Nickel Plated
Screw	Carbon steel, trivalent Rainbow Passivation, salt spray 48H

# Purpose Description

The UKK6G.N.UKK6/47.UKK6/158 series of switch terminals are specifically designed for use with miniature circuit breakers, residual current circuit breakers, air switches, etc. They are used in electrical control and power distribution equipment as well as in modular terminal devices for wiring purposes. With an insulation voltage of 690V and a rated voltage of 380V, these terminals directly connect to the switch input without the need for additional wires, copper or aluminum bars for transition connections. This is currently a new product that provides convenient and reliable multi-route connections at the output end of circuit breakers or residual current circuit breakers, ensuring a strong and dependable connection.

# Product drawings



**LEIPOLE**  
**UKK6**  
**UKK6NB-400/25-70**  
**IEC 60947-7-1**  
**690V 400A 25-70mm<sup>2</sup>**

CE ⚡

