

Specifications



Switch terminal, One way in, four ways out, H59 brass, nickel-plated, IP20, UL94 V-0

Model number: UKK6/47/4×10

Order number: 5012.021

Technical Parameters

Routes	One way in, four ways out Inlet: (Type 63) Pin-type Outlet: The bottom layer: 1.5-10mm ² X 2 (Recommended stripping length 21mm) Middle layer: 1.5-10mm ² X 2 (Recommended stripping length 11mm)
Screw torque	M4 ≤ 12.24 Kgf·cm
Temperature rise	≤ 45K
Insulation withstand voltage	3500V
Protection rating	IP20
Flame Retardant Grade	UL94 V-0
Safety Certification	CE

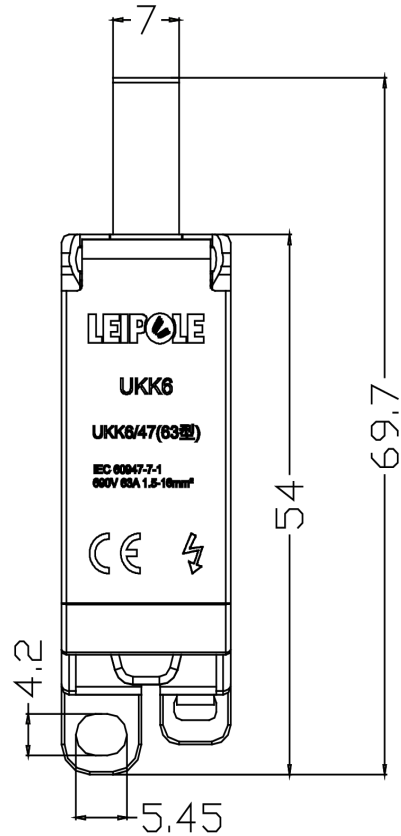
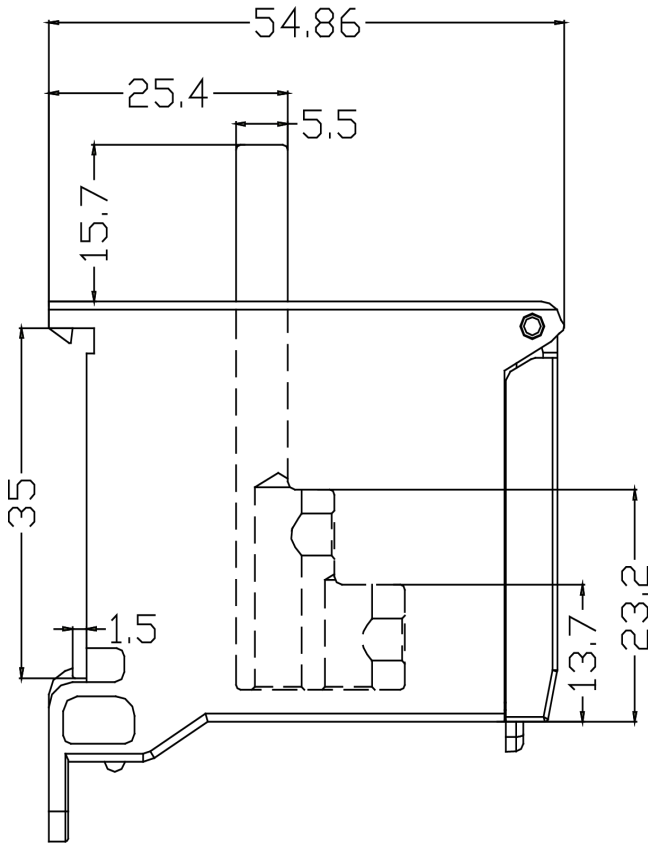
Materials

Dust cover	PC
noumenon	PA66-FR
Side panel	PA66-FR
carrier fluid	H59 Brass, Nickel Plated
Screw	Carbon steel, trivalent Rainbow Passivation, salt spray 48H

Purpose Description

The UKK6G.N.UKK6/47.UKK6/158 series of switch terminals are specifically designed for use with miniature circuit breakers, residual current circuit breakers, air switches, etc. They are used in electrical control and power distribution equipment as well as in modular terminal devices for wiring purposes. With an insulation voltage of 690V and a rated voltage of 380V, these terminals directly connect to the switch input without the need for additional wires, copper or aluminum bars for transition connections. This is currently a new product that provides convenient and reliable multi-route connections at the output end of circuit breakers or residual current circuit breakers, ensuring a strong and dependable connection.

Product drawings



LEIPOLE

UKK6

UKK6/47(63型)

IEC 60947-7-1
690V 63A 1.5-16mm²

