

Product data sheet

Specifications



Switch terminal , CE: 80A IEC 60947-7-1, UL: 85A UL 1059 , IP20 , UL94 V-0 CE RoHS

Model number: UKK80A

Order number: 5012.006

Technical Parameters

CE: 80A IEC 60947-7-1

UL: 85A UL 1059

Screw Torque:

M6 ≤ 25.5 Kgf.cm M5 ≤ 20.40 Kgf.cm

Temperature Rise:

≤ 45 K

Insulation Withstand Voltage:

3500V

Protection Class:

IP20

Flame Retardant Rating:

UL94 V-0

Safety Certifications:

CE RoHS

UL: E334233-20250627

Rated Short-time Withstand Current:
Icw KA rms Is

3

Instantaneous Peak Current IPk KA

22

Ui:

CE: 690V

UL: 600V

Modularity:

Single-strand incoming line, expandable with jumpers, double neutral line available

Materials

Dust Cover:	PC-V2
Body:	PA66-V0
Current-carrying Conductor:	H59 brass with nickel plating
Screws:	Carbon steel, trivalent Rainbow Passivation, salt spray 48H

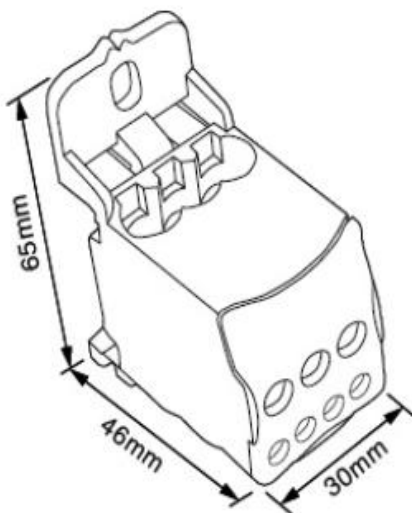
Purpose Description






Mainly used for connecting and distributing one main power line to multiple branch circuits.



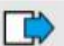
Key features include:

1. Safety: Provides safe and reliable electrical isolation to prevent short circuits or overloads.
2. Flexibility: Supports one-in multiple-out design, capable of splitting one main cable into multiple branch cables, facilitating on-site wiring adjustment and expansion.
3. Standardization: Complies with relevant electrical installation standards, easy to integrate with other DIN rail-mounted components.

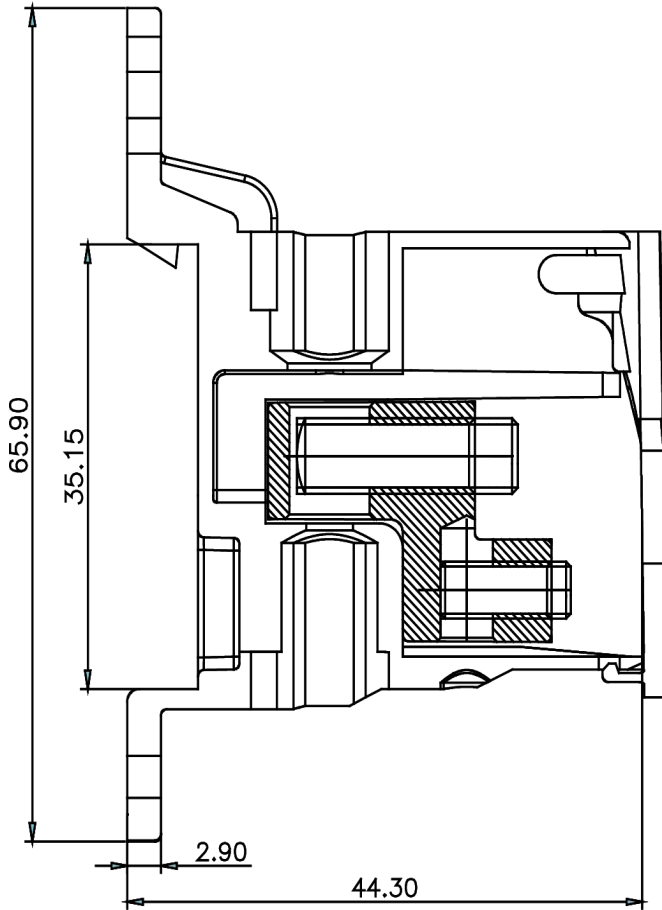
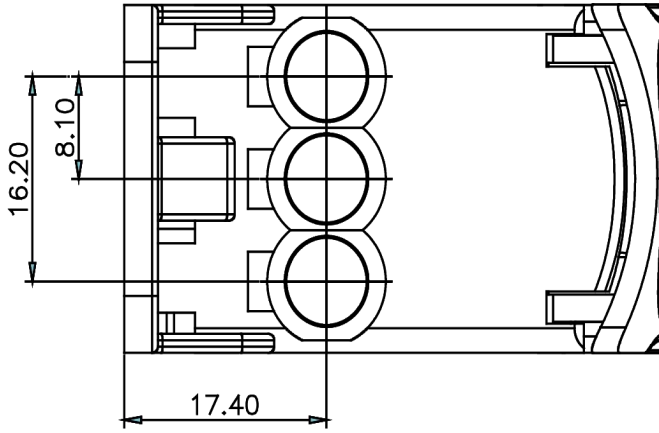
Installation Instructions



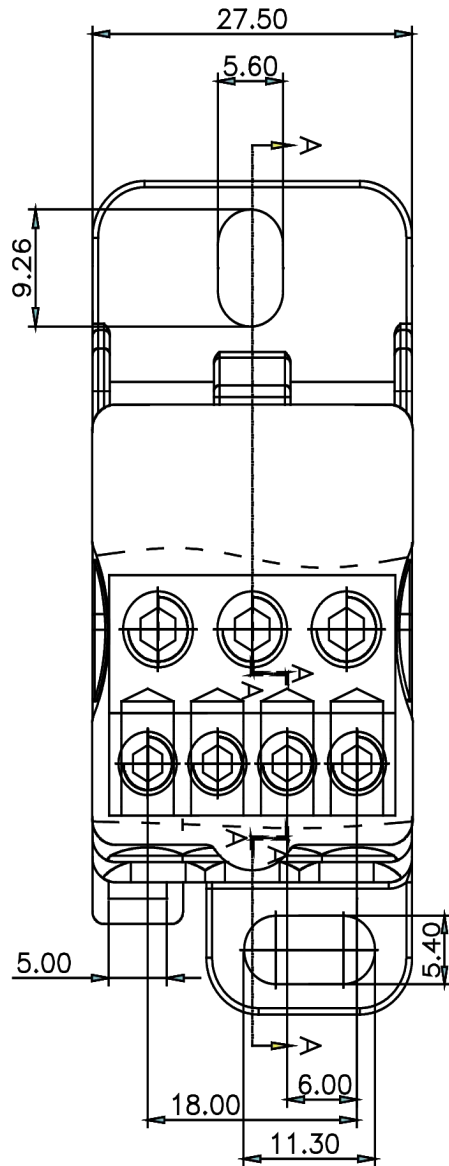
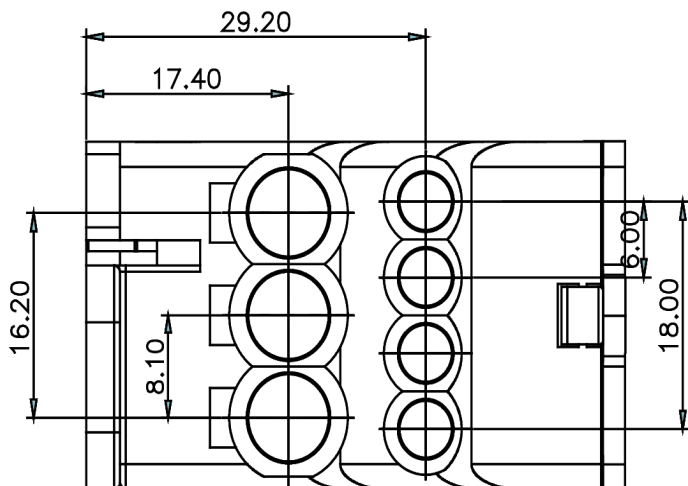
Metric	 mm^2 	$\Gamma(\text{N.m})$
	6...16 x1	2.5
	2.5...6 x4	1.8
	2.5...16 x2	2.5

US	AMG	Torque
	16...4 x1	17.5
	16...8 x4	10.6
	16...4 x2	17.5

Product Drawings



A-A



LEPOLE

UKK

80A

In: 80A | 85A ⚡
 U: 80V | 80V

