

Product data sheet

Specifications



Switch terminal , CE: 500A IEC 60947-7-1, UL: 500A UL 1059 , IP20 , UL94 V-0 CE RoHS

Model number: UKK500A

Order number: 5012.011

Technical Parameters

CE: 500A IEC 60947-7-1

UL: 500A UL 1059

Screw Torque:

M10 \leq 40.80Kgf.cm M8 \leq 35.70Kgf.cm

M6 \leq 25.50Kgf.cm

Temperature Rise:

\leq 45K

Insulation Withstand Voltage:

3500V

Protection Class:

IP20

Flame Retardant Rating:

UL94 V-0

Safety Certifications:

CE RoHS

UL: E334233-20250627

Rated Short-time Withstand Current:
Icw KA rms Is

24.5

Instantaneous Peak Current IPk KA

51

Ui:

CE: 690V

UL: 600V

Modularity:

Single-strand incoming line, expandable with jumpers, double neutral line available

Materials

Dust Cover:

PC-V2

Body:

PA66-V0

Current-carrying Conductor:

H59 brass with nickel plating

Screws:

Carbon steel, trivalent Rainbow Passivation, salt spray 48H

Purpose Description

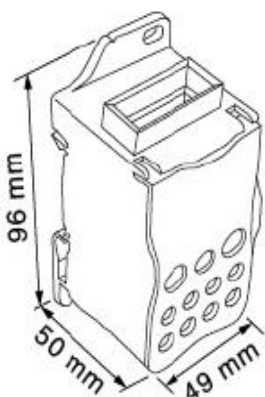
Mainly used for connecting and distributing one main power line to multiple branch circuits.

Key features include:

1. Safety: Provides safe and reliable electrical isolation to prevent short circuits or overloads.
2. Flexibility: Supports one-in multiple-out design, capable of splitting one main cable into multiple branch cables, facilitating on-site wiring adjustment and expansion.
3. Standardization: Complies with relevant electrical installation standards, easy to integrate with other DIN rail-mounted components.

Installation Instructions

Directly connected to TH flexible busbar



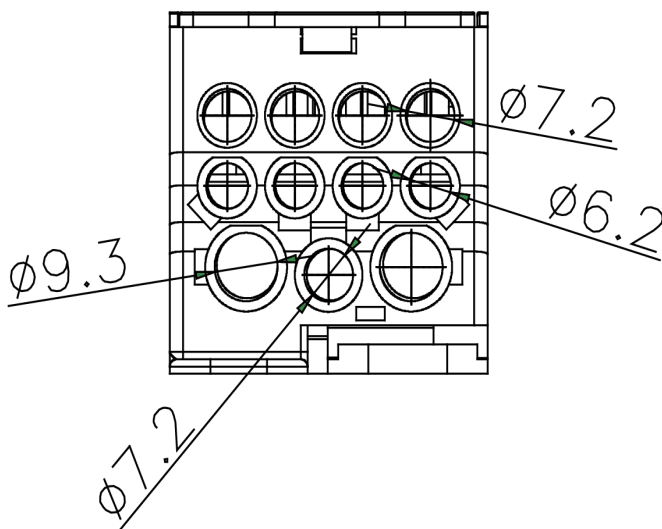
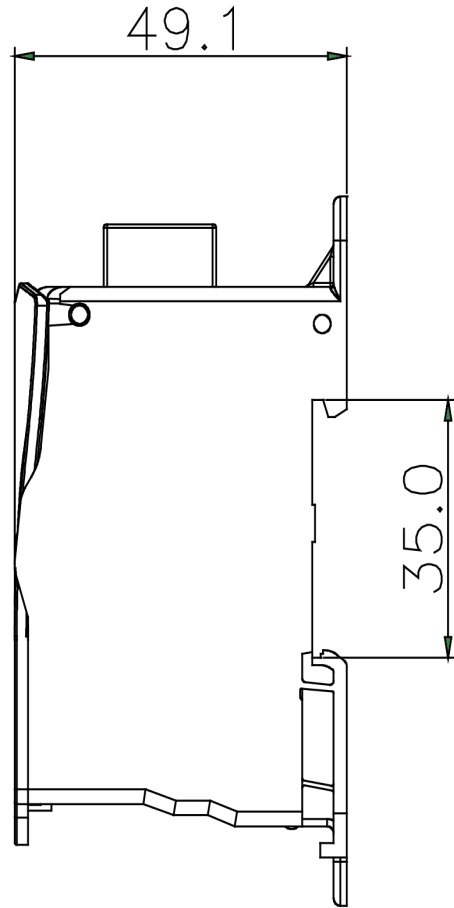
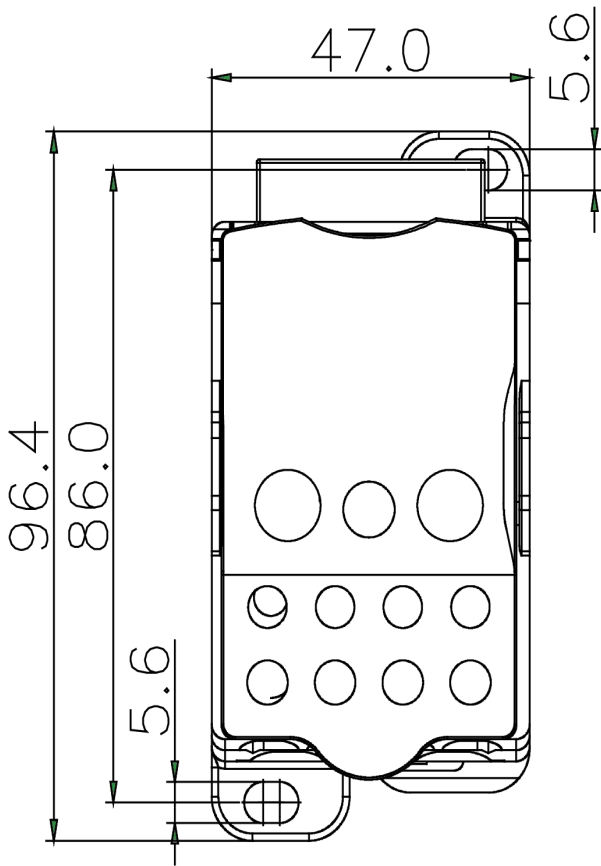
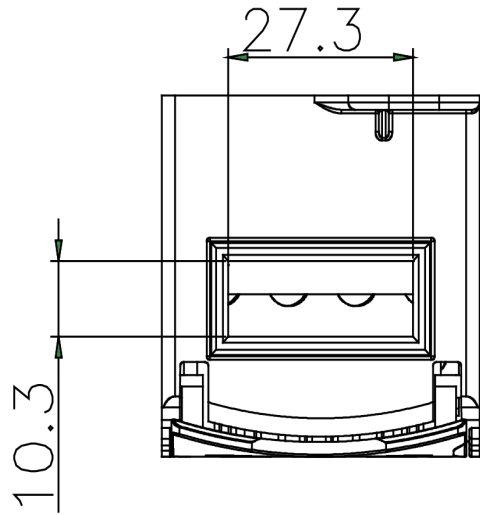
TH flexible

	4 x 15.5 x 0.8
	6 x 15.5 x 0.8
	2 x 20 x 1
	3 x 20 x 1
	4 x 20 x 1
	5 x 20 x 1
	6 x 20 x 1
	2 x 24 x 1
	3 x 24 x 1
	4 x 24 x 1
	5 x 24 x 1
	6 x 24 x 1
	8 x 24 x 1

Metric	mm ²	mm ²		Γ (N.m)
	4x15.5x0.8 ...8x24x1	4x15.5x0.8 ...8x24x1		2.5
	6...35	6...25	x2	4.0
	2.5...16	2.5...16	x5	2.7
	2.5...10	2.5...10	x4	2.5

US	AMG		Torque
	4x15.5x0.8 ...8x24x1		17.5
	14...1	x2	35
	14...4	x5	24
	14...6	x4	17.5

Product Drawings



LEIPOLE

**UKK
500A**

In: 500A | 500A
U_t: 690V | 600V

