

Product data sheet

Specifications



Switch terminal , CE: 400A IEC
60947-7-1, UL: 335A UL 1059 , IP20
, UL94 V-0 CE RoHS

Model number: UKK400A

Order number: 5012.010

Technical Parameters

CE: 400A IEC 60947-7-1

UL: 335A UL 1059

Screw Torque:

M20 $\leq 32.5\text{N.m}$ M10 $\leq 40.80\text{Kgf.cm}$

M8 $\leq 35.70\text{Kgf.cm}$ M6 $\leq 25.50\text{Kgf.cm}$

Temperature Rise:

$\leq 45\text{K}$

Insulation Withstand Voltage:

3500V

Protection Class:

IP20

Flame Retardant Rating:

UL94 V-0

Safety Certifications:

CE RoHS

UL: E334233-20250627

Rated Short-time Withstand Current:
Icw KA rms Is

24.5

Instantaneous Peak Current IPk KA

51

Ui:

CE : 690V

UL : 600V

Modularity:

Supports multiple configurations, suitable for single-pole, two-pole, three-pole, and four-pole applications.

Materials

Dust Cover:

PC-V2

Body:

PA66-V0

Current-carrying Conductor:

H59 brass with nickel plating

Screws:

Carbon steel, trivalent Rainbow Passivation, salt spray 48H

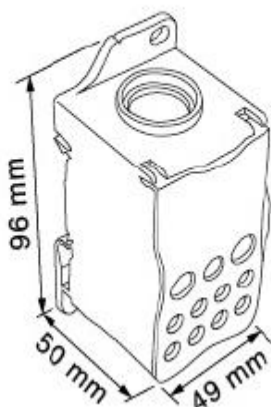
Purpose Description

Mainly used for connecting and distributing one main power line to multiple branch circuits.

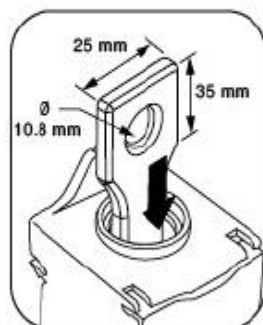
Key features include:

1. **Safety:** Provides safe and reliable electrical isolation to prevent short circuits or overloads.
2. **Flexibility:** Supports one-in multiple-out design, capable of splitting one main cable into multiple branch cables, facilitating on-site wiring adjustment and expansion.
3. **Standardization:** Complies with relevant electrical installation standards, easy to integrate with other DIN rail-mounted components.

Installation Instructions



Connect TF 250A with TH flexible busbar

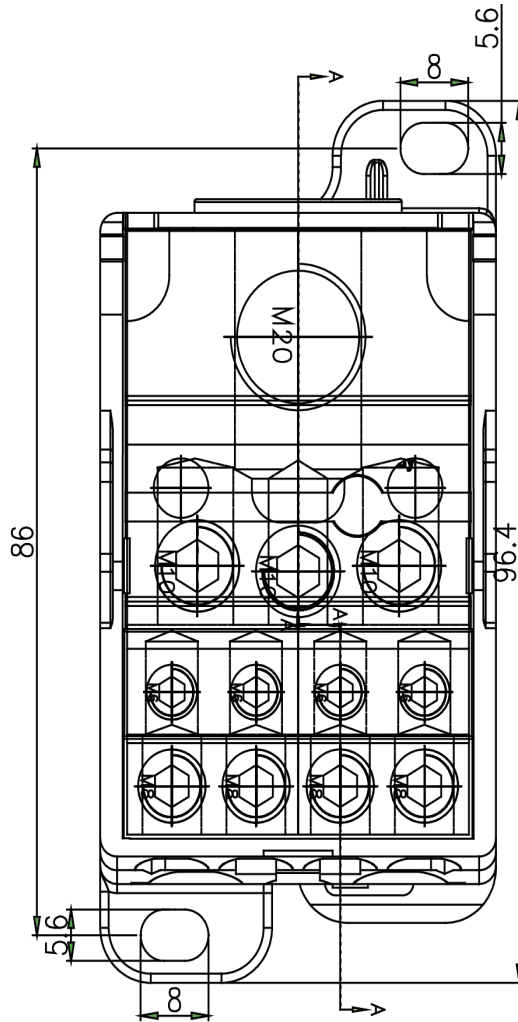
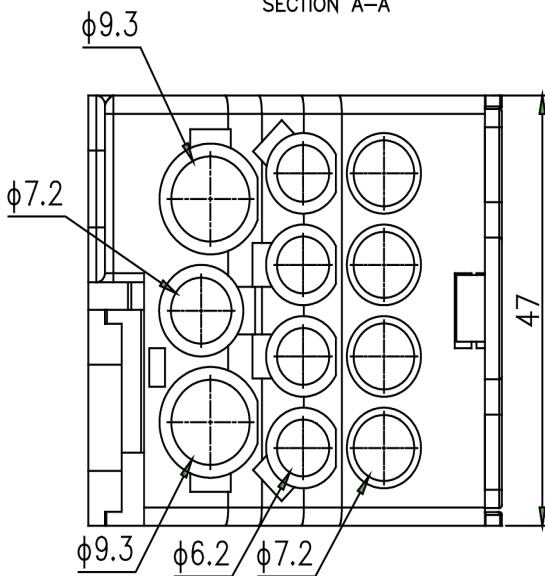
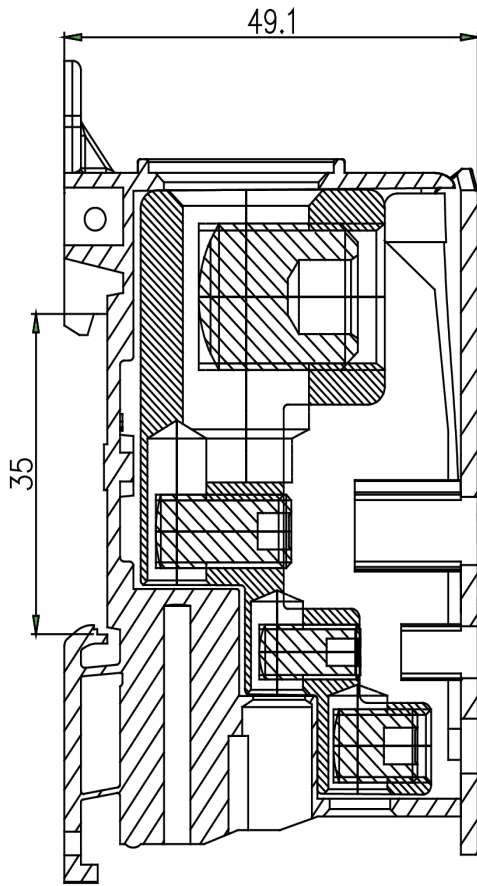
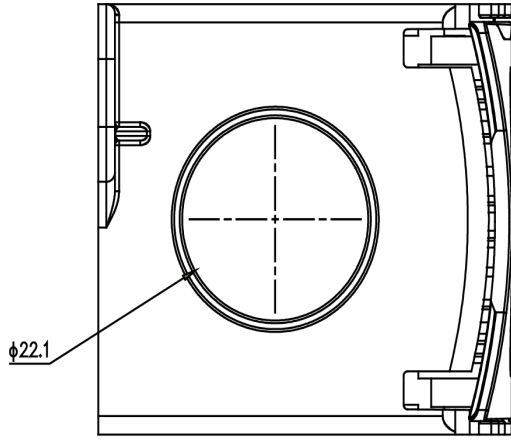


Junction box is directly connected to

Metric	mm ²	mm ²		Γ (N.m)
	95...185		x1	20
	6...35	6...25	x2	4.0
	2.5...16	2.5...16	x5	2.7
	2.5...10	2.5...10	x4	2.5

US	AMG		Torque
	3/0...400 Kcmil	x1	221
	14...1	x2	35
	14...4	x5	24
	14...6	x4	17.5

Product Drawings



LEIPOLE

**UKK
400A**

In: 400A | 335A
 UI: 690V | 600V

