

Product data sheet

Specifications



Switch terminal , CE : 250A IEC
60947-7-1, UL: 255A UL 1059 , IP20
, UL94 V-0 CE RoHS

Model number: UKK250A

Order number: 5012.009

Technical Parameters

CE: 250A IEC 60947-7-1

UL: 255A UL 1059

Screw Torque:

M16 $\leq 15.0\text{N.m}$ M10 $\leq 40.80\text{Kgf.cm}$

M8 $\leq 35.70\text{Kgf.cm}$ M6 $\leq 25.50\text{Kgf.cm}$

Temperature Rise:

$\leq 45\text{K}$

Insulation Withstand Voltage:

3500V

Protection Class:

IP20

Flame Retardant Rating:

UL94 V-0

Safety Certifications:

CE RoHS

UL: E334233-20250627

Rated Short-time Withstand Current:
Icw KA rms Is

24.5

Instantaneous Peak Current IPk KA

51

Ui:

CE: 690V

UL: 600V

Modularity:

Supports multiple configurations for single-pole, double-pole, triple-pole, and four-pole applications

Materials

Dust Cover:

PC-V2

Body:

PA66-V0

Current-carrying Conductor:

H59 brass with nickel plating

Screws:

Carbon steel, trivalent Rainbow Passivation, salt spray 48H

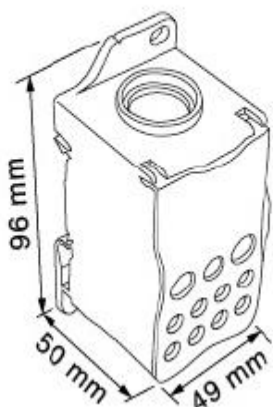
Purpose Description

Mainly used for connecting and distributing one main power line to multiple branch circuits.

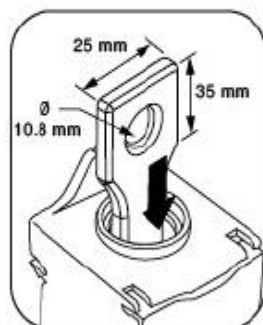
Key features include:

1. **Safety:** Provides safe and reliable electrical isolation to prevent short circuits or overloads.
2. **Flexibility:** Supports one-in multiple-out design, capable of splitting one main cable into multiple branch cables, facilitating on-site wiring adjustment and expansion.
3. **Standardization:** Complies with relevant electrical installation standards, easy to integrate with other DIN rail-mounted components.

Installation Instructions



Connect TF 250A with TH flexible busbar

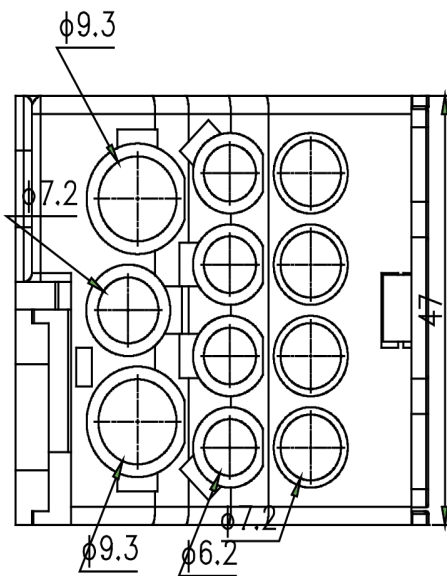
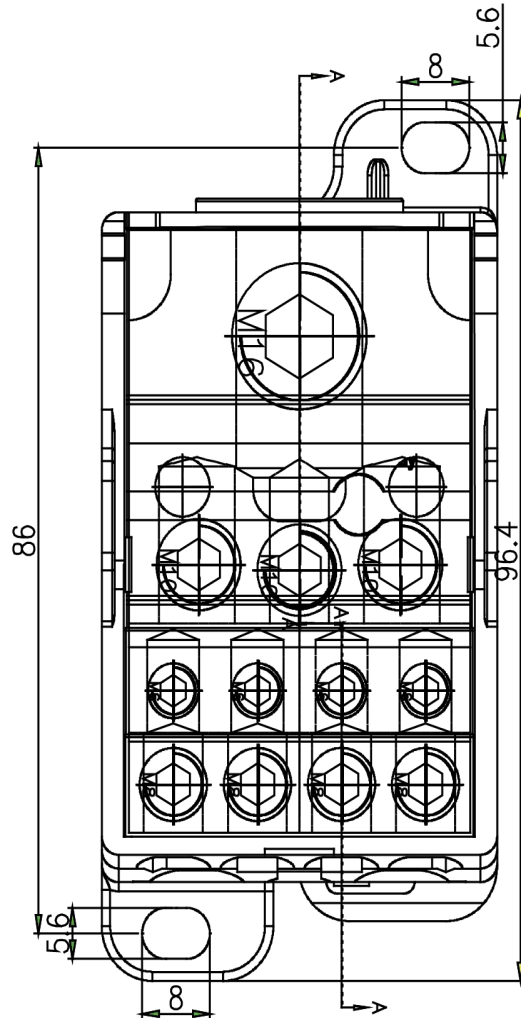
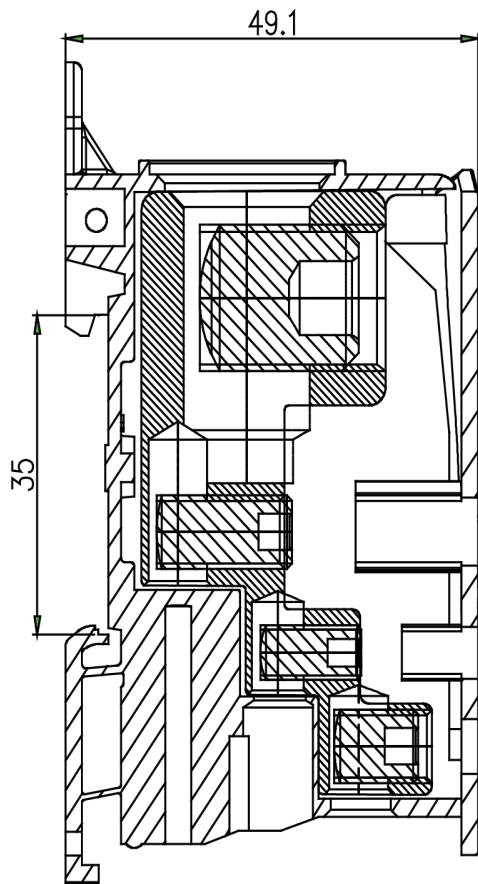
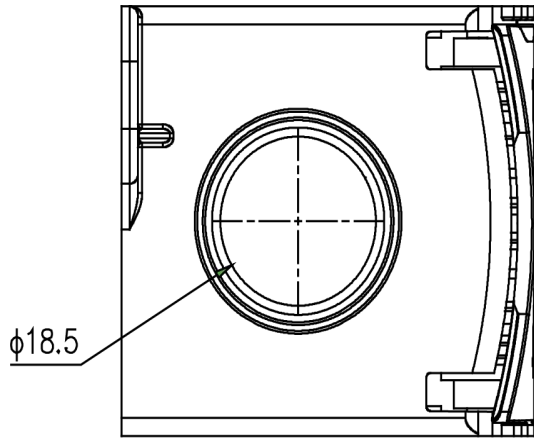


Junction box is directly connected to

| Metric | mm ² | mm ² | | | Γ (N.m) |
|--------|-----------------|-----------------|----|--|----------------|
| | 35...120 | | x1 | | 16 |
| | 6...35 | 6...25 | x2 | | 4.0 |
| | 2.5...16 | 2.5...16 | x5 | | 2.7 |
| | 2.5...10 | 2.5...10 | x4 | | 2.5 |

| US | AMG | | | Torque |
|----|------------------|----|--|--------|
| | 6...250 Kcmil | x1 | | 201 |
| | 14...1 | x2 | | 35 |
| | 14...4 | x5 | | 24 |
| | 14...6 | x4 | | 17.5 |

Product Drawings



LEPOLE

UKK

250A

In: 250A | 255A ⚡
 UI: 690V | 600V

