

# Product data sheet

## Specifications



Switch terminal , CE : 160A IEC  
60947-7-1, UL: 200A UL 1059 , IP20  
, UL94 V-0 CE RoHS

Model number: UKK160A

Order number: 5012.008

## Technical Parameters

---

CE: 160A IEC 60947-7-1

UL: 200A UL 1059

---

Screw Torque:

M12  $\leq 5.5\text{N.m}$  M6  $\leq 25.50\text{Kgf.cm}$

---

Temperature Rise:

$\leq 45\text{K}$

---

Insulation Withstand Voltage:

3500V

---

Protection Class:

IP20

---

Flame Retardant Rating:

UL94 V-0

---

Safety Certifications:

CE RoHS

UL: E334233-20250627

---

Rated Short-time Withstand Current:  
Icw KA rms Is

11.8

---

Instantaneous Peak Current IPk KA

30

---

Ui:

CE: 690V

UL: 600V

---

Modularity:

Single-strand incoming line, expandable with  
jumpers, double neutral line available

# Materials

Dust Cover:	PC-V2
Body:	PA66-V0
Current-carrying Conductor:	H59 brass with nickel plating
Screws:	Carbon steel, trivalent Rainbow Passivation, salt spray 48H

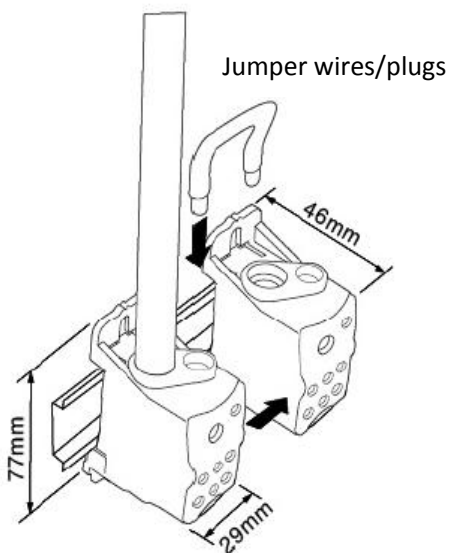
## Purpose Description

Mainly used for connecting and distributing one main power line to multiple branch circuits.

Key features include:

1. Safety: Provides safe and reliable electrical isolation to prevent short circuits or overloads.
2. Flexibility: Supports one-in multiple-out design, capable of splitting one main cable into multiple branch cables, facilitating on-site wiring adjustment and expansion.
3. Standardization: Complies with relevant electrical installation standards, easy to integrate with other DIN rail-mounted components.

## Installation Instructions

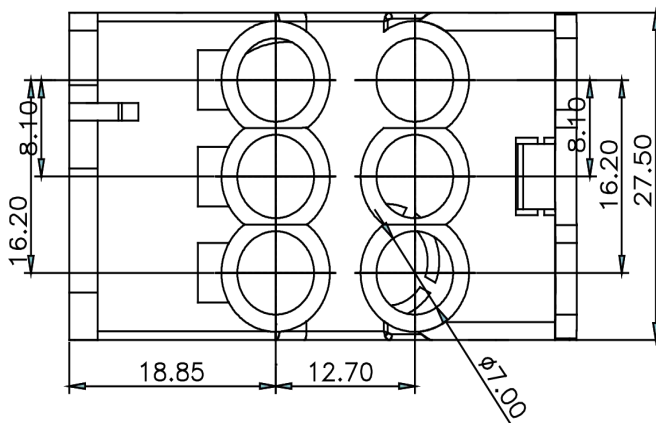
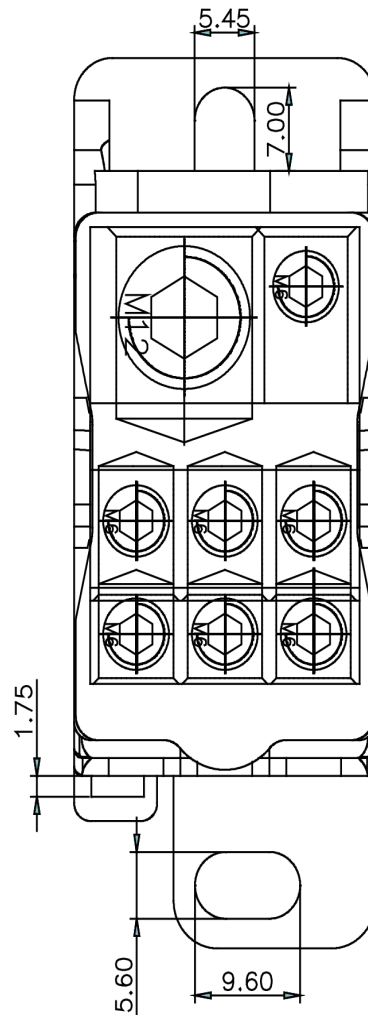
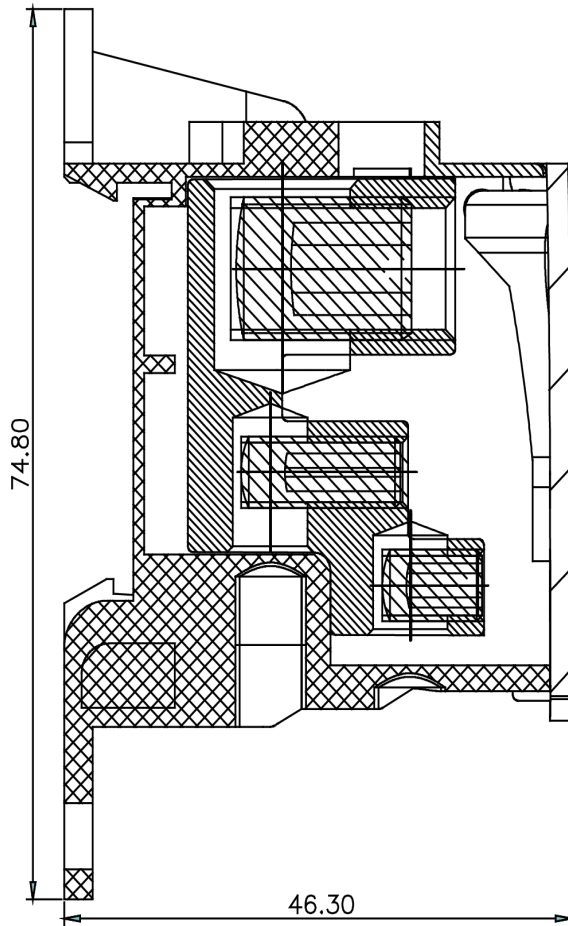
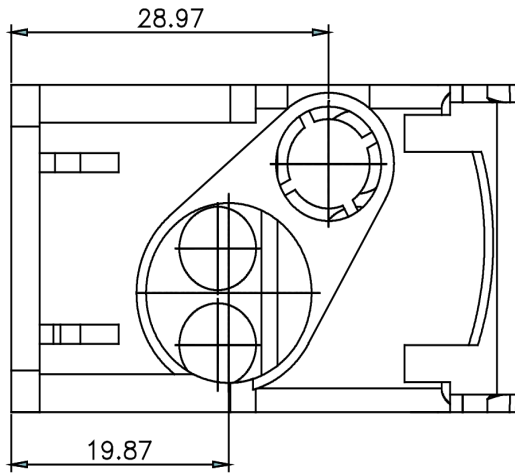


Metric	mm <sup>2</sup>		Γ(N.m)
	10...70	x1	5.5
	6...16**	x1	2.5
	2.5...16	x6	2.5

\*\*Or general

US	AMG		Torqu
	8...3/0	x1	56
	14...4	x1	17.5
	14...4	x6	17.5

# Product Drawings



**LEPOLE**

**UKK**  
**160A**  
 In: 160A | 200A ⚡  
 U: 600V | 600V

