

Product data sheet

Specifications



Switch terminal , CE: 125A IEC
60947-7-1, UL: 150A UL 1059 , IP20 ,
UL94 V-0 CE RoHS

Model number: UKK125A

Order number: 5012.007

Technical Parameters

CE: 125A IEC 60947-7-1

UL: 150A UL 1059

Screw Torque:

M10 \leq 40.80Kgf.cm M6 \leq 25.50Kgf.cm

Temperature Rise:

\leq 45K

Insulation Withstand Voltage:

3500V

Protection Class:

IP20

Flame Retardant Rating:

UL94 V-0

Safety Certifications:

CE RoHS

UL: E334233-20250627

Rated Short-time Withstand Current:
Icw KA rms Is

4.2

Instantaneous Peak Current IPk KA

30

Ui:

CE: 690V

UL: 600V

Modularity:

Single-strand incoming line, expandable with
jumpers, double neutral line available

Materials

Dust Cover:	PC-V2
Body:	PA66-V0
Current-carrying Conductor:	H59 brass with nickel plating
Screws:	Carbon steel, trivalent Rainbow Passivation, salt spray 48H

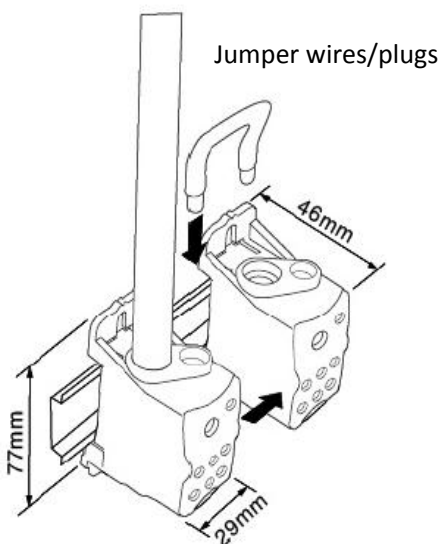
Purpose Description

Mainly used for connecting and distributing one main power line to multiple branch circuits.

Key features include:

1. Safety: Provides safe and reliable electrical isolation to prevent short circuits or overloads.
2. Flexibility: Supports one-in multiple-out design, capable of splitting one main cable into multiple branch cables, facilitating on-site wiring adjustment and expansion.
3. Standardization: Complies with relevant electrical installation standards, easy to integrate with other DIN rail-mounted components.

Installation Instructions

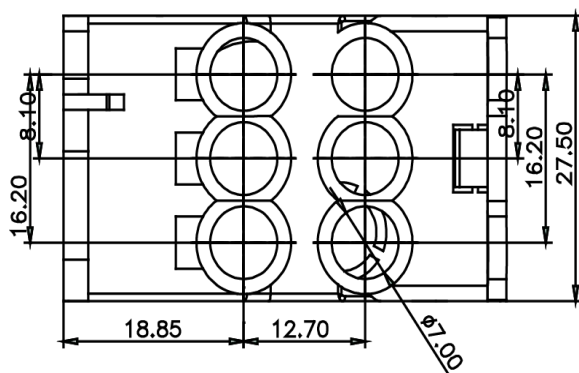
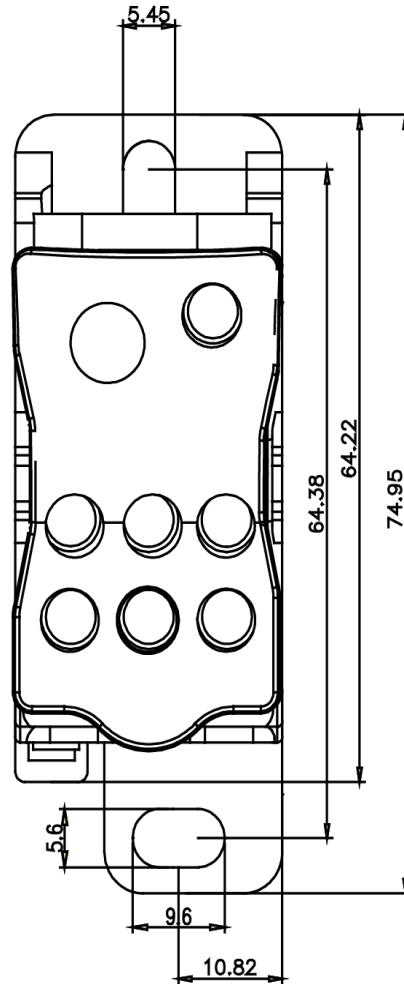
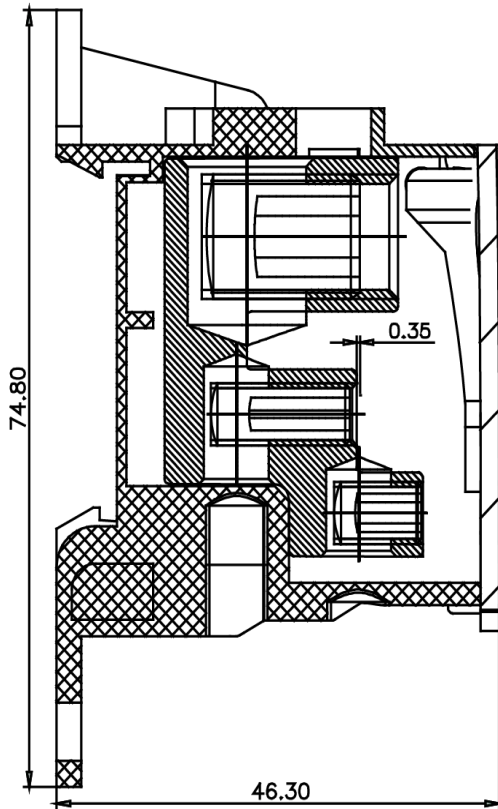
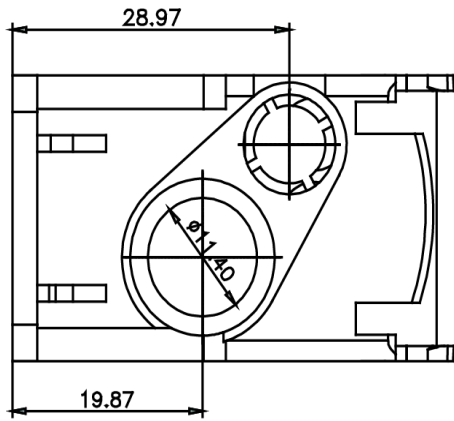


Metric	mm ²		I (N.m)	
	10...35	x1		4.0
	6...16**	x1		2.5
	2.5...16	x6		2.5

**Or general

US	AMG		Torqu	
	8...1/0	x1		35
	14...4	x1		17.5
	14...4	x6		17.5

Product Drawings



LEIPOLE

UKK
125A
 In: 125A | 180A
 U: 800V | 800V

