

# Product data sheet

## Specifications



Switch terminal, CE RoHS ,H59 brass,  
nickel-plated,IP20,UL94 V-0

Model number: UKK125A-8K(UHT125A)

Order number: 5012.128

## Technical Parameters

	I=125 A IEC 60947-7-1
	I=130 A UL/CSA
Screw Torque	M8 $\leq$ 35.70kgf.cm M6 $\leq$ 25.50kgf.cm
Temperature Rise	$\leq$ 45K
Dielectric Withstand Voltage	3500V
Protection Class (IP Rating)	IP20
Flame Retardant Rating	UL94 V-0
Standards Certification	CE RoHS
Rated Short-Time Withstand Current	4.2 kV(rms)
Peak Withstand Current (IPk) (kA)	30
Rated Insulation Voltage (Ui)	690V AC/DC IEC
Rated Input Voltage (Vin)	600V UL
Current (I)	125A
Modular Design	Single module can be plug-connected to form multi-level modules

## Materials

Cover	PC
Case	PA66-FR
Conductor	H59 Brass, Nickel Plated
Screw	Carbon steel, trivalent Rainbow Passivation, salt spray 48H

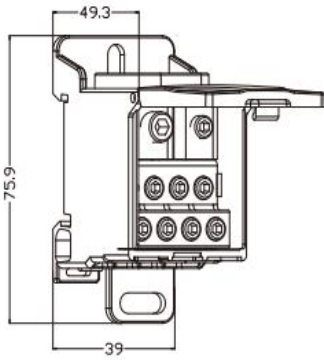
# Purpose Description

Mainly used for connecting and distributing a main power line to multiple branch circuits.

Key features include:

1. **Safety:** Provides safe and reliable electrical isolation, preventing short circuits or overloads.
2. **Flexibility:** Supports one-in-multi-out design, allowing the splitting of a main cable into multiple branch cables, making it easy to adjust and expand on-site wiring.
3. **Standardization:** Complies with relevant electrical installation standards and is easy to integrate with other DIN rail components.

# Installation instructions

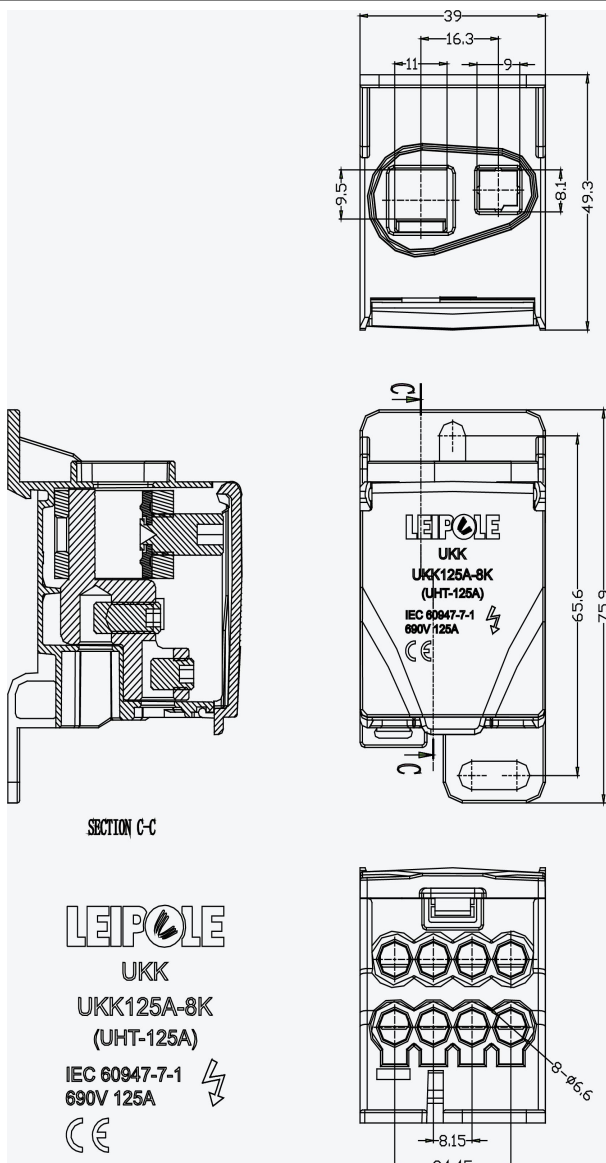


Metric System	mm <sup>2</sup>		Γ (N.m)
	10...35	x1	4.0
	6...16**	x1	2.5
	2.5...16	x8	2.5

\*\*Or universal jumper

Imperial System	AMG		Torque
	8...1/0	x1	35
	14...4	x1	17.5
	14...4	x8	17.5

# Product drawings



SECTION C-C

**LEPOLE**  
 UKK  
 UKK125A-8K  
 (UHT-125A)  
 IEC 60947-7-1  
 690V 125A