

Product data sheet

Specifications



Product name: Cable Entry

Model number: MC3

Order number: 9014.117

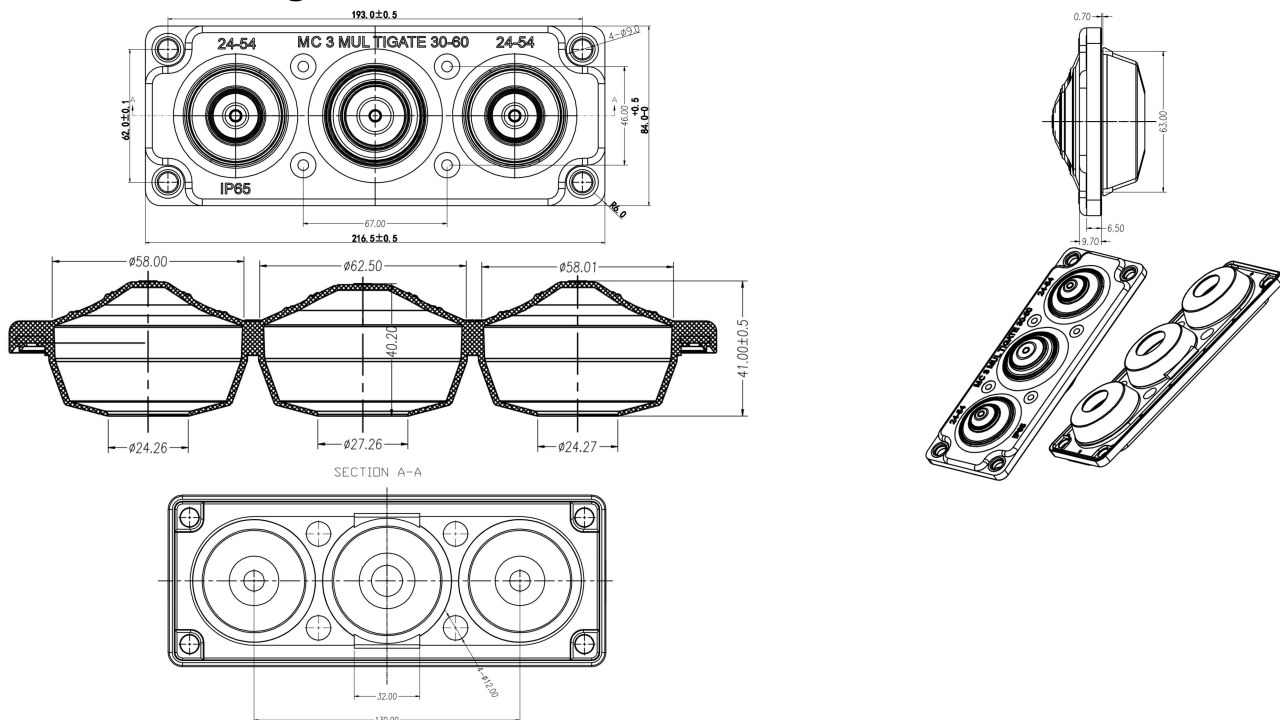
Main information

1	Load-bearing reinforcements are made of steel plate.
2	The membrane and gaskets of cable glands are manufactured from thermoplastic elastomer TPE-V0.
3	Cable glands and gaskets are gray, with color code RAL 7035.
4	Cable seals and gaskets comply with IEC 60529 and provide IP65 protection against ingress of solid particles and water.
5	The thermoplastic elastomer TPE-V0 is resistant to UV radiation in accordance with ISO 4892-2.
6	Resistance to abnormal heat and fire complies with IEC 60695-2-10 at 650 °C.

Technical characteristics

1	Operating temperature:	
	lower limit	-40°C
	upper limit	40°C
2	Storage temperature:	
	lower limit	-40°C
	upper limit	40°C
3	Mounting temperature:	
	lower limit	0°C
	upper limit	30°C
4	Service life of materials, years, minimum	10years

Product Drawings



Cut-out Drawing

