

Product data sheet

Specifications



Thermostat (normally open) , Bimetallic sheet , 35mm DIN rail installation, CE RoHS , IP20 , ABS , 0°C~+60°C

Model number: JSK0011F

Order number: 2021.008

Technical Parameters

Rated working voltage:	230/115/60/48/24V (AC) 60/48 /24V (DC)
Inductive element:	Bimetallic sheet
Electric shock configuration:	Single stage conversion electric shock as an instantaneous switching element
Maximum switching capacity	250V AC, 10(2)A 120V AC, 15(2)A DC 30W
Temperature regulation range:	0°C~+60°C
Switch difference:	7K(±4K)
Safety certification:	CE RoHS
Protection level:	IP20
Electrical connection:	Two pressure wire terminals, standard wire 0.5~2.5mm ²
Installation requirements:	35mm DIN rail installation
Operating/Storage Temperature:	-5°C~+80°C

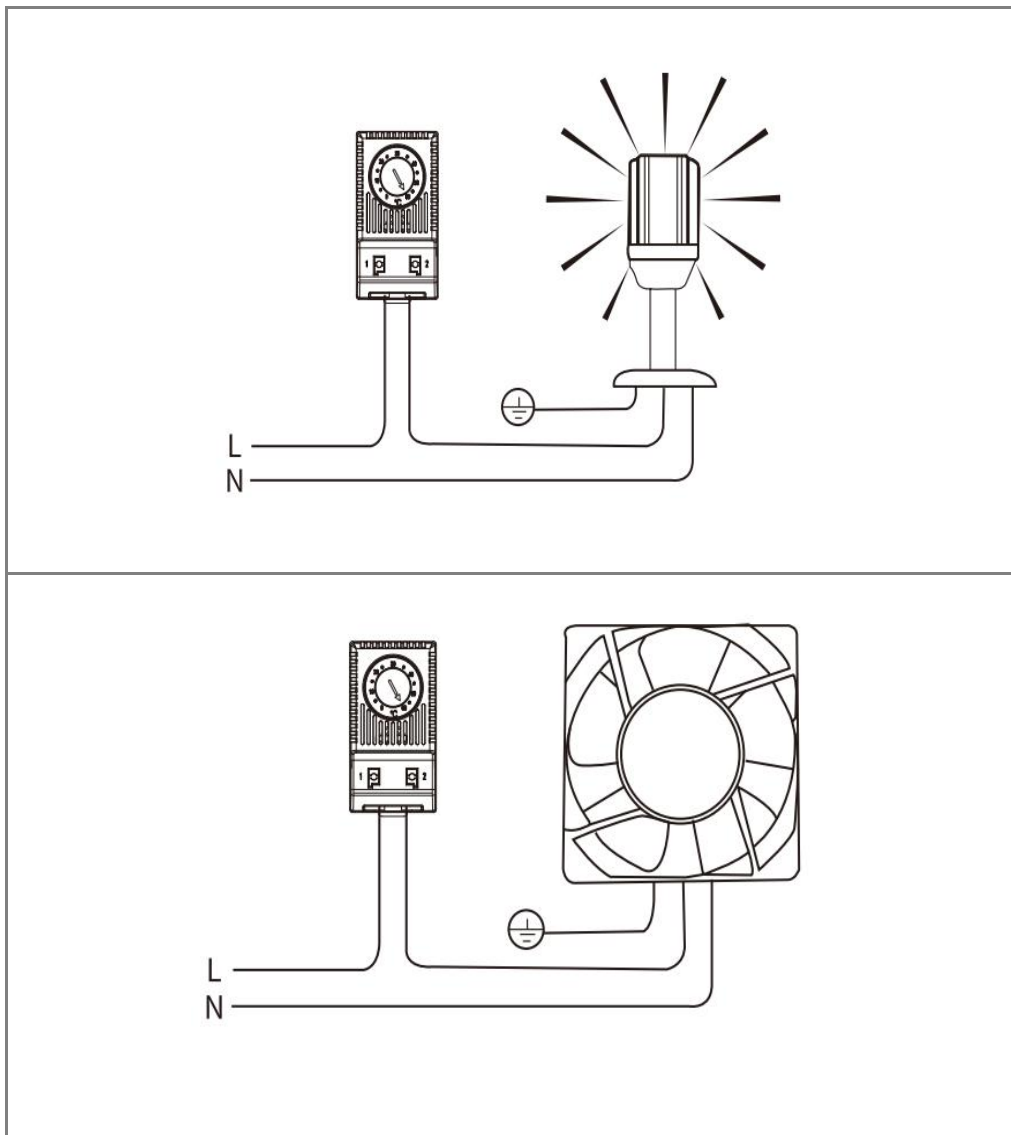
Materials

Product shell:	ABS
----------------	-----

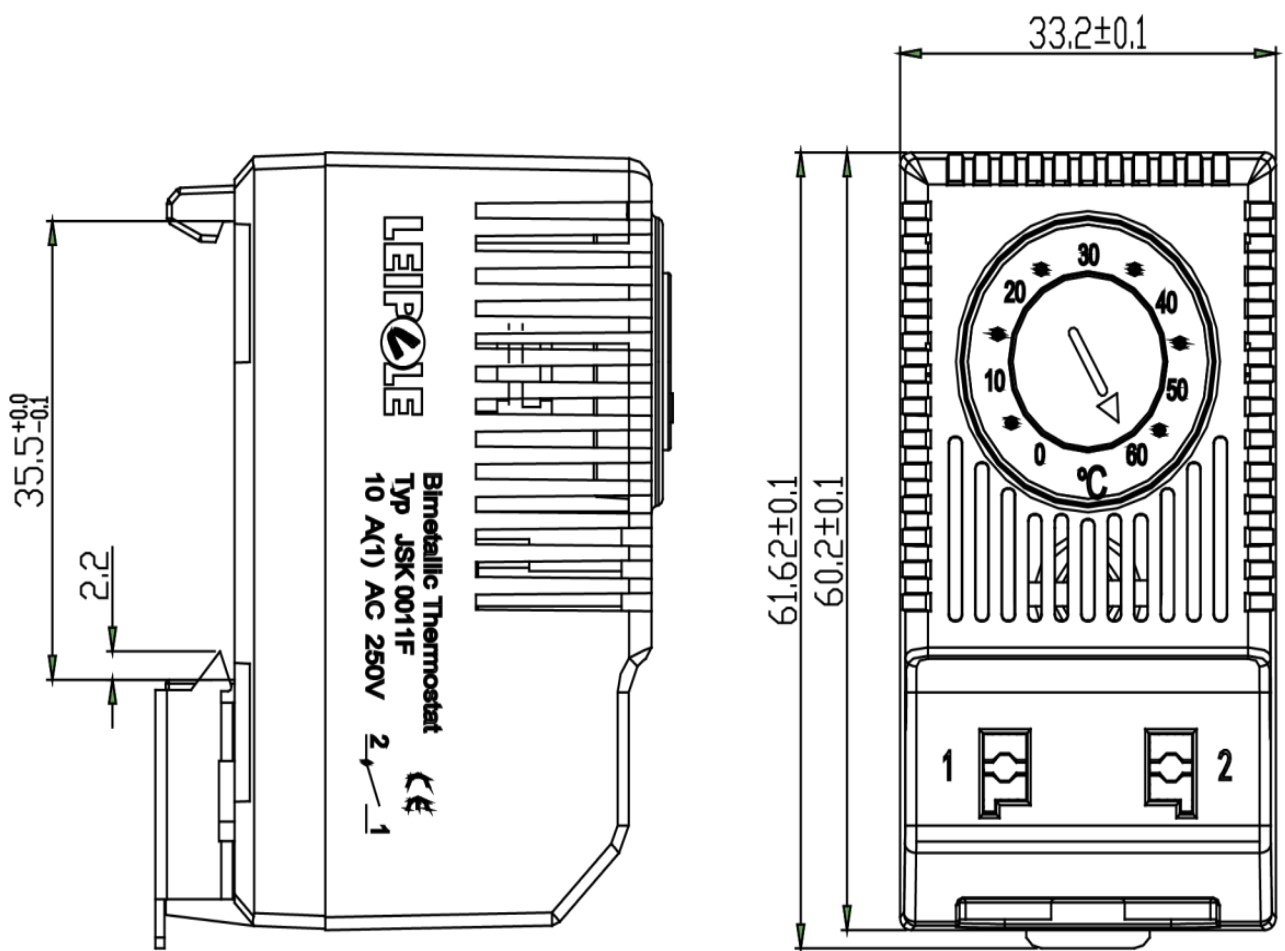
Product Description

JWT6011F thermostat (normally open): commonly used for monitoring filter fans, heat exchangers, or closing circuit output signals when the temperature exceeds the set value.

Installation Diagram



Product drawings



The circuit schematic is as follows

