

Product data sheet

Specifications



Thermostat (normally closed), Bimetallic sheet ,35mm DIN rail installation , CE RoHS , IP20 , ABS , -20°C~+40°C

Model number: JSK0010R

Order number: 2021.012

Technical Parameters

Rated working voltage:	230/115/60/48/24V (AC) 60/48 /24V (DC)
Inductive element:	Bimetallic sheet
Electric shock configuration:	Single stage conversion electric shock as an instantaneous switching element
Maximum switching capacity	250V AC, 10(2)A 120V AC, 15(2)A DC 30W
Temperature regulation range:	-20°C~+40°C
Switch difference:	7K(±4K)
Safety certification:	CE RoHS
Protection level:	IP20

Electrical connection: Two pressure wire terminals, standard wire 0.5~2.5mm²

Installation requirements: 35mm DIN rail installation

Operating/Storage Temperature: -5°C~+80°C

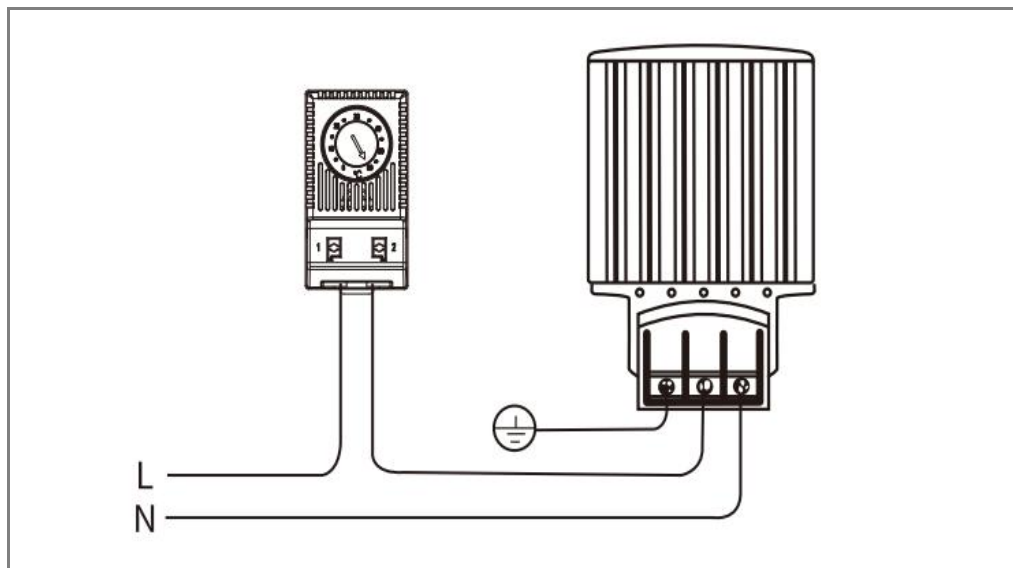
Materials

Product shell: ABS

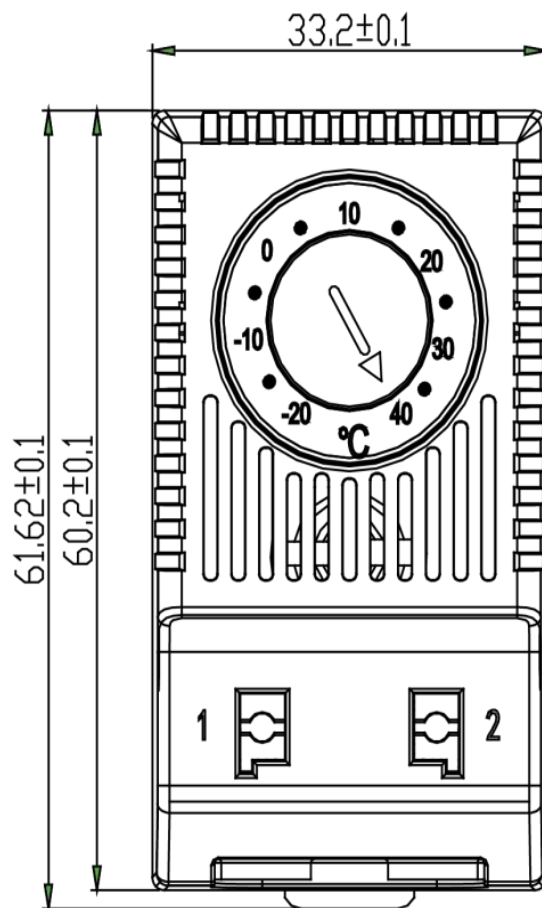
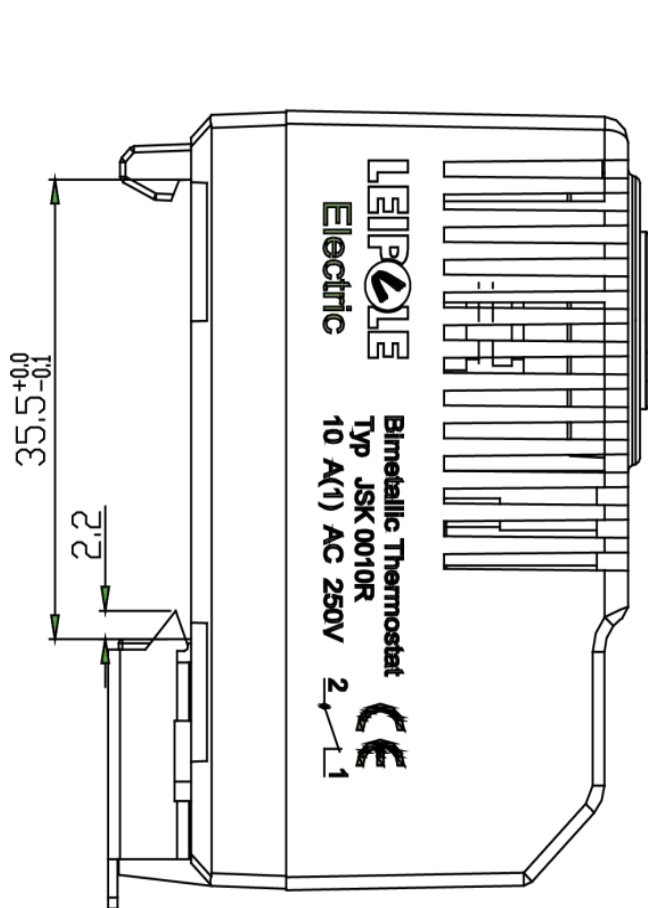
Product Description

JSK0010R temperature controller (normally closed): commonly used to connect heaters and disconnect the circuit when the temperature reaches the set value.

Installation Diagram



Product drawings



The circuit schematic is as follows

