

Product data sheet

Specifications



Heater , PTC , Ball axial fan , 230VAC
50/60Hz , CE RoHS , IP20

Model number: JRQ250

Order number: 2020.008

Technical Parameters

Operating Voltage:	230VAC 50/60Hz
Heating Element:	PTC
Heat Output:	230~270W
Ball Bearing Axial Fan:	AC: 45m ³ /h (50Hz) 54m ³ /h (60Hz)
Leakage Current:	Max 0.05mA
Inrush Current:	Max 2A
Operating Current:	0.71~1.36A
Air Outlet Temperature:	Max 90°C
Housing Temperature Resistance:	Max 160°C
Safety Certifications:	CE RoHS
Protection Class:	IP20
Electrical Connection:	R200: 3×0.75mm ² cable standard wire 0.5-2.5mm ²
Installation Requirement:	Vertical

Storage Temperature:	-45°C~+80°C
----------------------	-------------

Operating Temperature:	-40°C~+75°C
------------------------	-------------

Rail Thickness:	1.1mm
-----------------	-------

Materials

Terminal Block:	PA66
-----------------	------

Housing Material:	PPS+30%GF-FR
-------------------	--------------

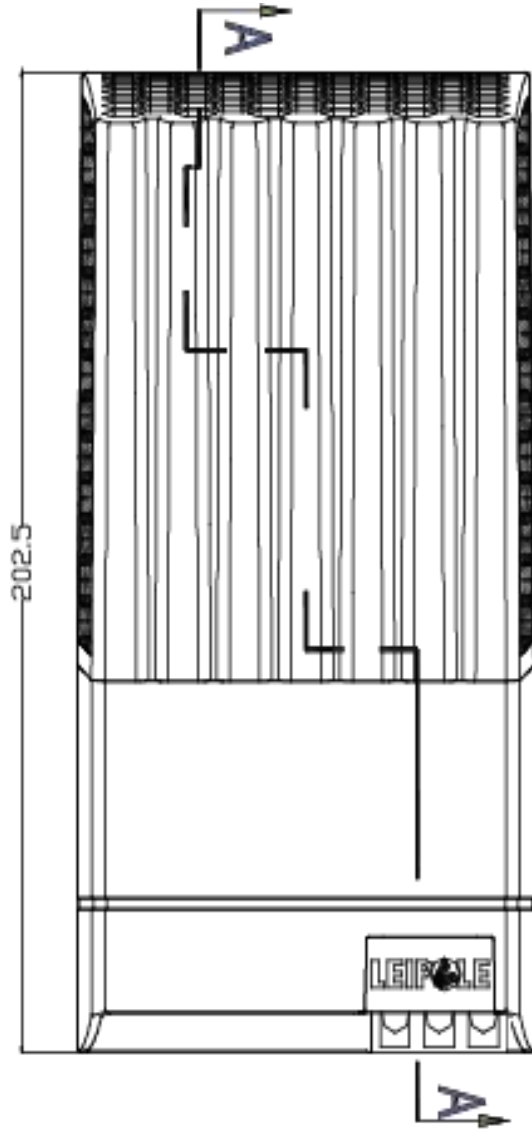
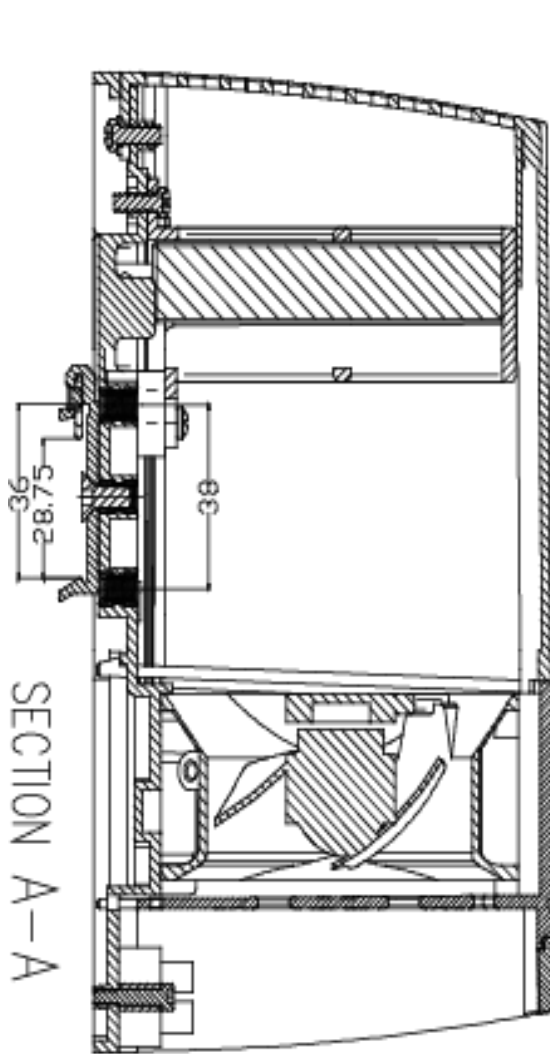
Rail:	Aluminum Alloy
-------	----------------

Product Description

This heater model features the following characteristics:

1. This compact electrical cabinet heater is uniquely designed with a high-efficiency moisture protection function, effectively preventing damp air from corroding and damaging electrical components, ensuring stable operation of electrical equipment in humid environments. Its built-in high-performance integrated axial fan has powerful air circulation capability, enabling rapid and uniform heat exchange throughout the control cabinet to achieve temperature regulation, maintaining a constant and suitable operating temperature inside the cabinet and avoiding potential issues caused by excessive or insufficient temperature.
 2. The product is specially equipped with a built-in terminal connector, significantly enhancing the safety and reliability of electrical connections. Compared to traditional wiring methods, the built-in terminal connector design not only simplifies installation and maintenance processes, reduces operational risks, but also improves the stability of the entire system, providing users with a safe, efficient, and convenient temperature control solution for electrical cabinets.
-

Product drawings



The circuit schematic is as follows:

